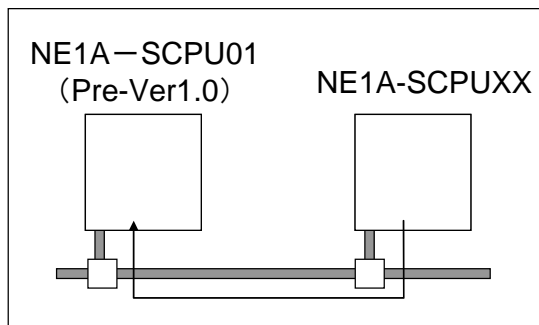


# Network Configurator v1.61 Update Module Release Notes

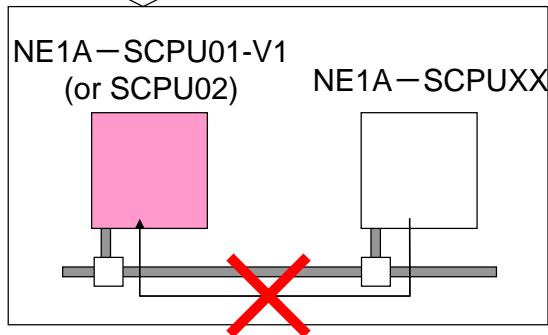
This release note describes details of the Network Configurator v1.61 Update Module.

## 1 Update

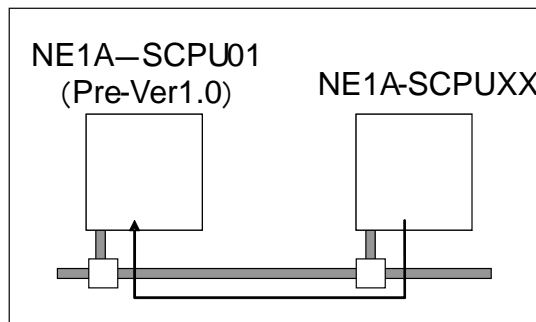
Where the NE1A-SCPU01(Pre-Ver.1.0) configuration data set as a target is converted into the data for the NE1A-SCPU01-V1 or NE1A-SCPU02 while SafetySlaveIO communications are set between two NE1A-SCPU01(s)(Pre-Ver.1.0). Then, after this conversion, no communication work between the NE1A(s) when the NE1A is operated.



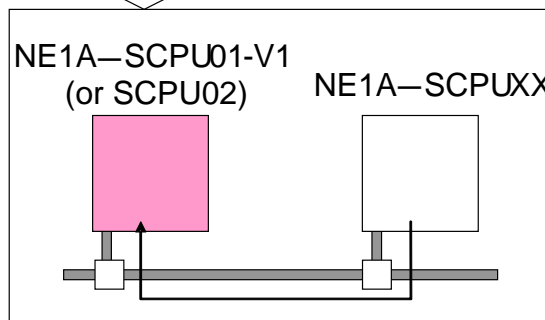
Change Device Type



After Update



Change Device Type



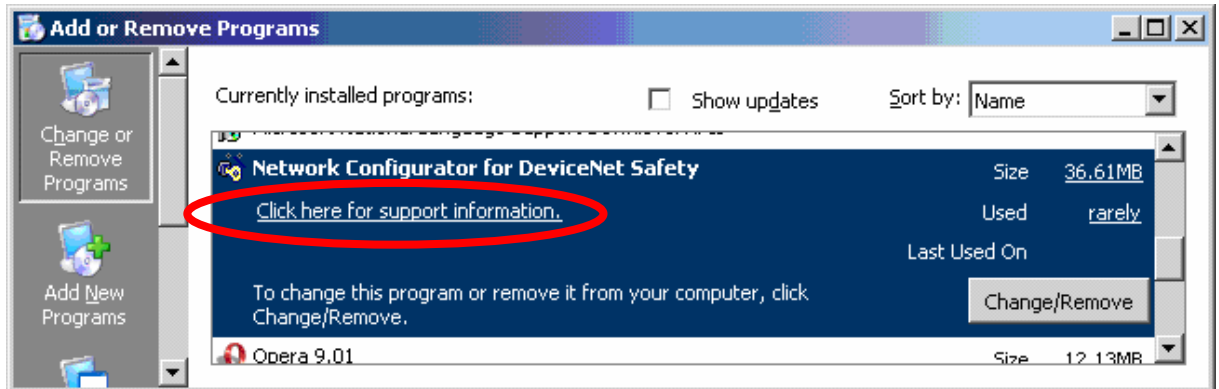
## 2 Target Version

This update module target is the before **V1.60.0821**.

\* **How to check the version currently installed.**

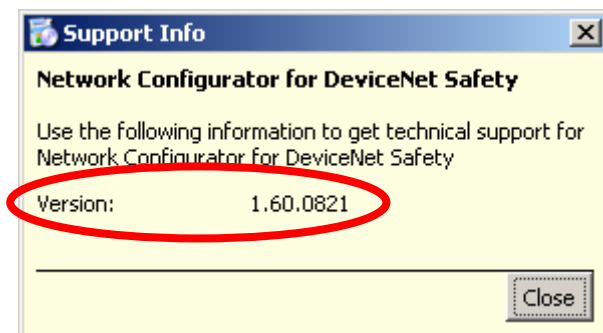
Select the **Control Panel – Add or Remove Programs**.

Find the **Network Configurator for DeviceNet Safety** from the window shown below:



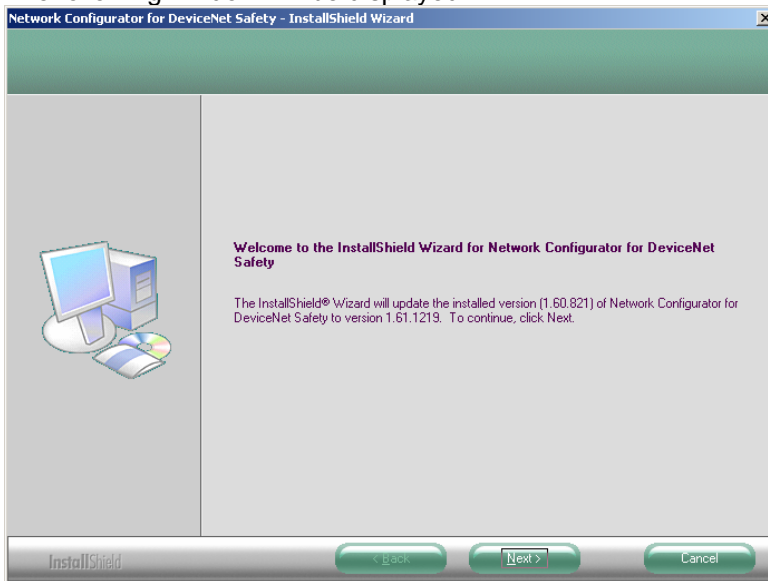
In the window shown above, click the text said “Click here for support information.”

Then, the following window will be displayed. If the version is “1.60.0821” in this window, it is the update module target.

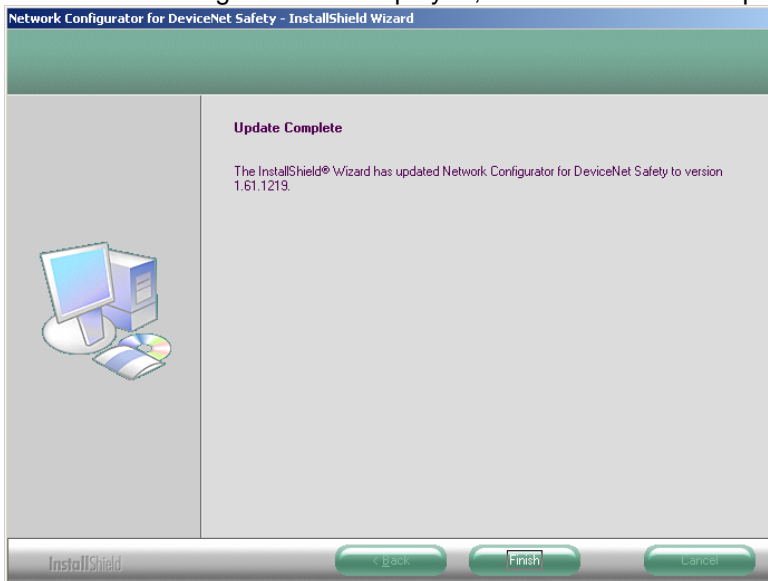


### 3 How to Install

1. Execute the update module, "NetworkConfigurator\_for\_Safety\_v1.61.1219\_Update\_Us.exe".
2. The following window will be displayed:



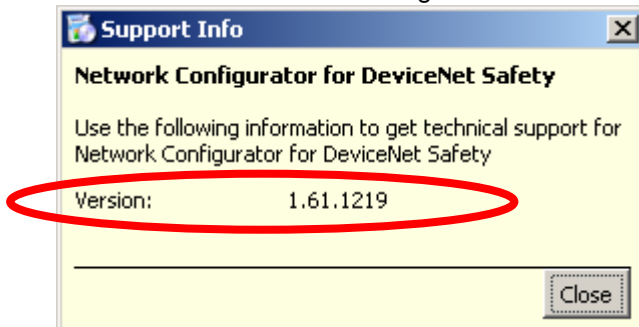
3. Follow the instructions on the screen and click the **Next** button.
4. The installation will begin.
5. When the following window is displayed, the installation is complete.



\* **How to Check the Installation**

Select the **Control Panel – Add or Remove Programs**.

If the Version of Network Configurator is "1.61.1219", the module is successfully installed.

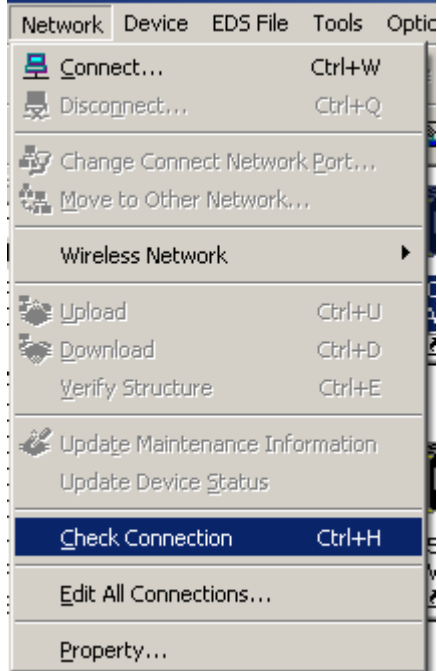


## 4 Method of Operation

This bug has a potential to occur when the NE1A-SCPU01 configuration data is changed into the data for the NE1A-SCPU01-V1 or NE1A-SCPU02 with the Changing Device function over the Network Configurator. Use the following procedure to fix this bug:

### 1. Checking connections

From the Network Configurator Menu, select **Network – Check Connection**.

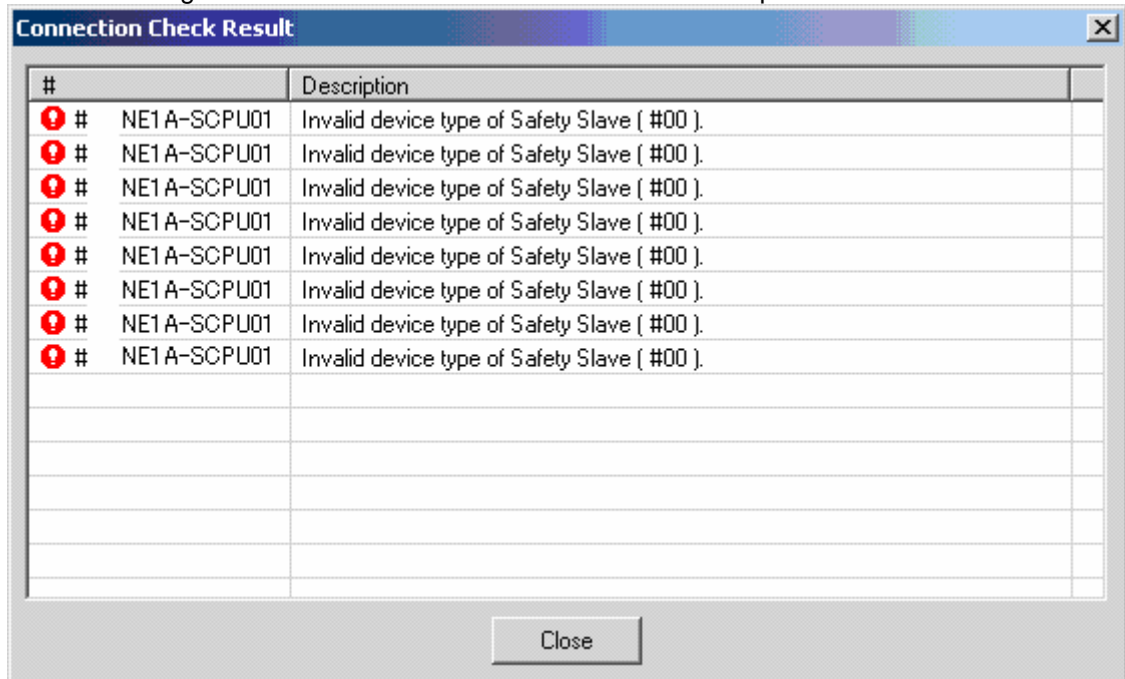


### 2. Indicating connection check results

If there is any problem (if there is any communication error in operation), an error indication is displayed as shown below.

(When this bug occurs, the text "Invalid device type of Safety Slave" is indicated.)

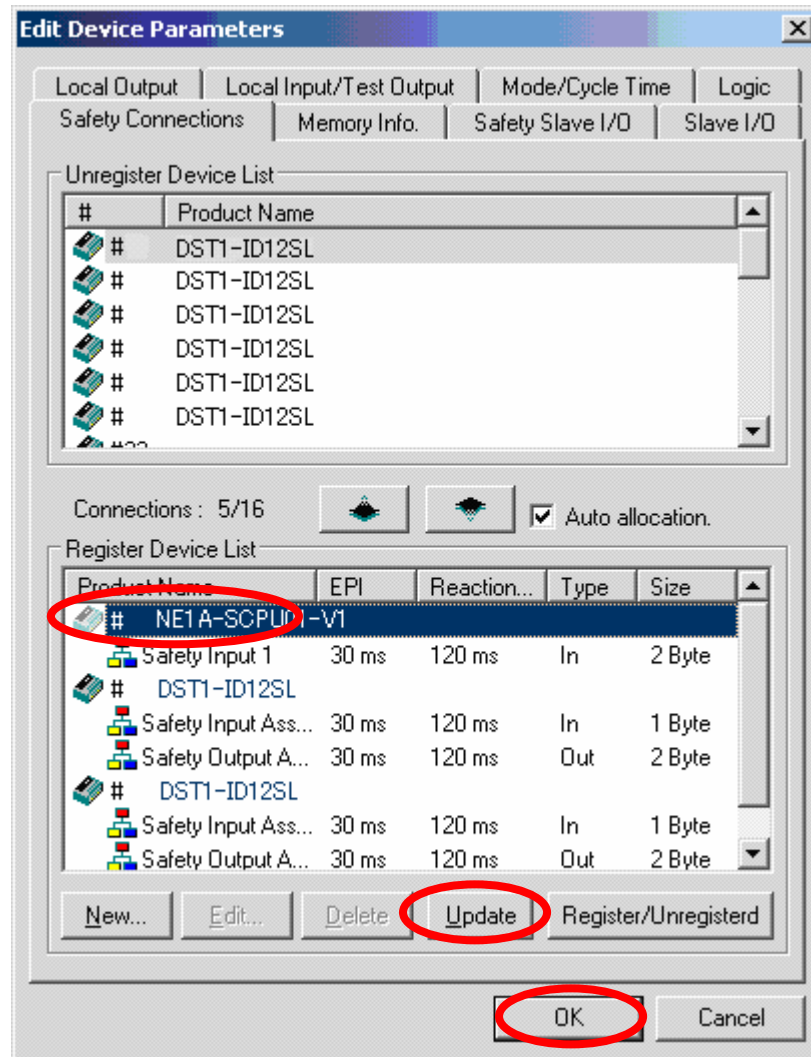
A device setting of a node address indicated here needs to be updated.



3. **Updating Connection Setting**

Display a setting window of the device that needs to be updated, indicated in the Check Connection Window.

In the setting window, the device whose information needs to be updated will be indicated in reduced shade as shown below.



Select the corresponding device and click the **Update** button. Then, click the **OK** button and close the window.

The setting will be updated correctly.