

デジタルタイマ

H5CX-L8SD-N



商品概要

Digital Timer, Economy Type, 1 tier, Transistor output, 24 VAC/12 to 24 VDC, 8-pin round socket

販売状況

2026/06/25 00:00 情報更新

| | |
|-------|---------|
| 販売状況 | 受注終了 |
| 受注終了日 | 2025年9月 |

推奨代替品の最新情報につきましては、当社Webサイト(www.fa.omron.co.jp)の「生産終了品/推奨代替品」をご覧ください。
在庫状況/標準価格の最新情報につきましては、当社Webサイト(www.fa.omron.co.jp)の「在庫状況/標準価格照会」をご覧ください。

詳細情報

Ratings/Performance

情報更新：2024/12/23

| | | |
|-------------------------------------|----------------------------|---|
| Rated supply voltage | | 24 VAC (50/60 Hz) 12 to 24 VDC (Ripple 20% max.) |
| Operating voltage range | | 85 to 110% of rated supply voltage (90% to 110% at 12 to 24 VDC) |
| Power consumption | | Approx. 5.1 VA/Approx. 2.4 W |
| Time ranges (Number of ranges) | | 10 |
| Time ranges | | 0.001 to 9.999 s 0.01 to 99.99 s 0.1 to 999.9 s 1 to 9999 s 0.1 to 999.9 min 1 to 9999 min 0.1 to 999.9 h 1 to 9999 h 1 s to 99 min 59 s 1 min to 99 h 59 min |
| Input method | | No-voltage input |
| No-voltage input | Solid state input | Short-circuit (ON) impedance: 1 kΩ max. (Leakage current (0 Ω): Approx. 12 mA) Short-circuit (ON) residual voltage: 3 V max. Open circuit impedance: 100 kΩ min. (The DC voltage must be 30 VDC max.) |
| | Contact input | Use contact which can adequately switch 5 mA at 10 V |
| | Applicable two-wire sensor | Leakage current: 1.5 mA max. Switching capacities: 5 mA min. Residual voltage: 3.0 VDC max. Operating voltage: 10 VDC |
| Output modes | | A: Signal ON delay (I) A-1: Signal ON delay (II) A-2: Power ON delay (I) A-3: Power ON delay (II) b: Repeat cycle (I) b-1: Repeat cycle (II) d: Signal OFF delay E: Interval F: Cumulative Z: ON/OFF-duty adjustable flicker S: Stopwatch toff: Flicker OFF start (I) ton: Flicker ON start (I) toff-1: Flicker OFF start (II) ton-1: Flicker ON start (II) |
| Control output (Solid state output) | | 1 point (Transistor output) Mode: NPN open collector (SPST-NO) Switching capacities: 30 VDC max., 100 mA max. Residual voltage: 1.5 V max. (Capacity value: Approx. 1 V) Leakage current: 0.1 mA max. |
| Reset system | | Power reset (depending on output mode)/Automatic reset (depending on output mode)/External reset/Manual reset |

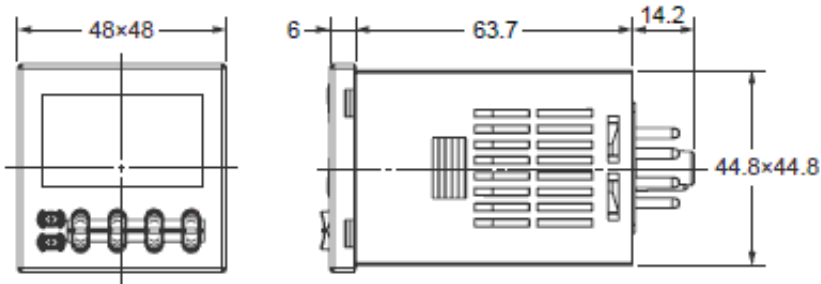
| | |
|---------------------------------|---|
| Power reset | Minimum power-opening time: 0.5 s (except for A-3, b1, F, ton-1 and toff-1 mode) |
| Timer mode | Elapsed time (UP) and remaining time (DOWN) (selectable) |
| Display method | 7-segment negative transmissive LCD 4 digit |
| Character height | Present value: 12 mm (Red) Set value: 6 mm (green) |
| Key protect method | Key protect Switch |
| Memory backup method | EEP-ROM (number of writes: 100,000 min., that can store data for 10 years min.) |
| Ambient temperature (Operating) | -10 to 55 °C (with no freezing or condensation) When mount timer side by side: -10 to 50 °C (with no freezing or condensation) |
| Ambient temperature (Storage) | -25 to 70 °C (with no freezing or condensation) |
| Ambient humidity (Operating) | 25 to 85 % |
| Accuracy of operating time | Power-ON start: $\pm 0.01\% \pm 0.05$ s max. (The values are based on the set value.) Signal start: $\pm 0.005\% \pm 3$ ms max. (The values are based on the set value. The value is applied for a minimum pulse width of 1 ms.) |
| Setting error | Power-ON start: $\pm 0.01\% \pm 0.05$ s max. (The values are based on the set value.) Signal start: $\pm 0.005\% \pm 3$ ms max. (The values are based on the set value. The value is applied for a minimum pulse width of 1 ms.) |
| Influence of voltage | Power-ON start: $\pm 0.01\% \pm 0.05$ s max. (The values are based on the set value.) Signal start: $\pm 0.005\% \pm 3$ ms max. (The values are based on the set value. The value is applied for a minimum pulse width of 1 ms.) |
| Influence of temperature | Power-ON start: $\pm 0.01\% \pm 0.05$ s max. (The values are based on the set value.) Signal start: $\pm 0.005\% \pm 3$ ms max. (The values are based on the set value. The value is applied for a minimum pulse width of 1 ms.) |
| Insulation resistance | Between current carrying terminals and exposed non-current carrying metal parts: 100 M Ω min. (at 500 VDC) Between non-continuous contacts: 100 M Ω min. (at 500 VDC) |
| Dielectric strength | Between current carrying metal parts and non-current carrying metal parts: 2000 VAC 50/60 Hz 1 min Between control output, and power supply/input circuit: 1000 VAC 50/60 Hz 1 min Between non-continuous contacts: 1000 VAC 50/60 Hz 1 min |
| Impulse withstand voltage | Between power terminals: 1.0 kV Between current carrying terminals and exposed non-current carrying metal parts: 1.5 kV |
| Noise immunity | Between power terminals: ± 1.5 kV Between input terminals: ± 600 kV square-wave noise by noise simulator, pulse width: 100 ns/1 μ s, 1-ns rise |

| | |
|-----------------------------|---|
| Static immunity | Mulfunction: 8 kV, Destruction: 15 kV |
| Vibration resistance | Destruction: 10 to 55 Hz, 0.75 mm single amplitude each in 3 directions for 2 h Malfunction: 10 to 55 Hz 0.35 mm single amplitude each in 3 directions for 10 min |
| Shock resistance | Destruction: 300 m/s ² , 3 times each in 3 axes each directions Malfunction: 100 m/s ² , 3 times each in 6 directions |
| Degree of protection | Only panel surface: IEC IP66, UL508 Type 4X (indoors) (when using the Y92S-29 Waterproof Packing and Y92F-30 Flush Mounting Adapter) |
| Mounting method | Flush mounting / Surface mounting |
| External connection method | 8-pin round socket |
| Case color | Black (Munsell N1.5) |
| Applicable socket | P2CF-08, P2CF-08-E, P3G-08 |
| Accessory (sold separately) | Soft Cover: Y92A-48F1 Hard Cover: Y92A-48 Flush mounting adapter: Y92F-30/Y92F-45/Y92F-38 Waterproof packing: Y92S-29 Replacement Front Panel: Y92P-CXT4S/Y92P-CXT4G/Y92P-CXT4B |
| Weight | Main Unit: Approx. 115 g |

Dimensions

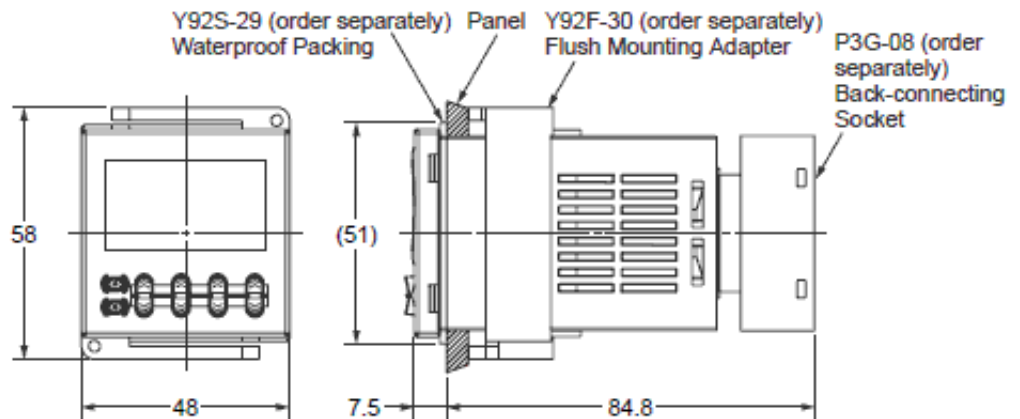
情報更新：2024/12/23

H5CX-L8□-N (Flush Mounting/Surface Mounting Models)



Dimensions with Flush Mounting Adapter

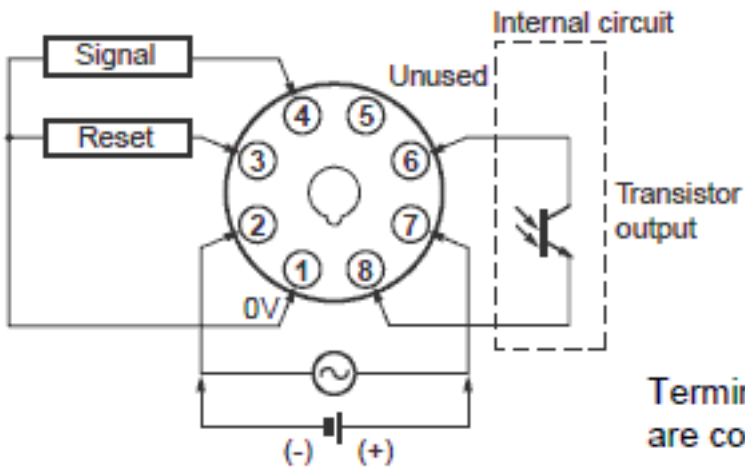
H5CX-L8□-N (Adapter and Waterproof Packing Ordered Separately)



Terminal arrangement

情報更新：2024/12/23

H5CX-L8S-N/-L8SD-N



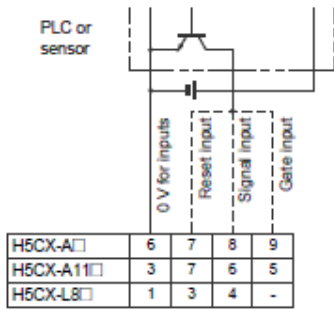
Terminals 1 and 2 of the H5CX-L8SD-N are connected internally.

Input connections

情報更新：2024/12/23

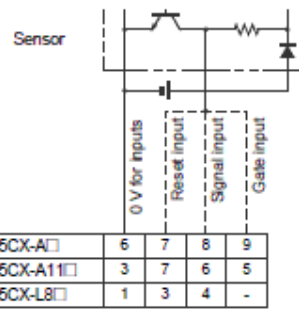
No-voltage Inputs (NPN Inputs)

Open Collector



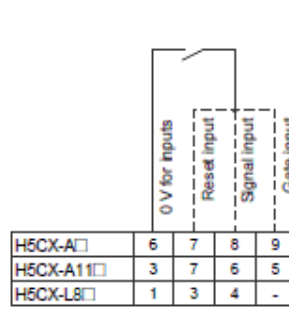
Note: Operate with transistor ON

Voltage Output



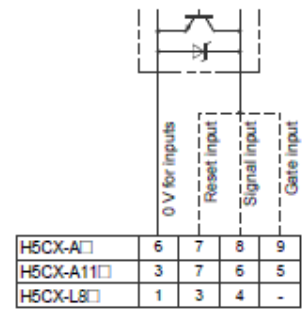
Note: Operate with transistor ON

Contact Input



Note: Operate with relay ON

DC Two-wire Sensor



Note: Operate with transistor ON

No-voltage Input Signal Levels

| | |
|------------------|--|
| No-contact input | Short-circuit level Transistor ON |
| | <ul style="list-style-type: none"> Residual voltage: 3 V max. Impedance when ON: 1 kΩ max. (The leakage current is approx. 12 mA when the impedance is 0 Ω.) |
| Contact input | Open level Transistor OFF |
| | <ul style="list-style-type: none"> Impedance when OFF: 100 kΩ min. |

Note: The DC voltage must be 30 VDC max.

Applicable Two-wire Sensor

- Leakage current: 1.5 mA max.
- Switching capacity: 5 mA min.
- Residual voltage: 3.0 VDC max.
- Operating voltage: 10 VDC

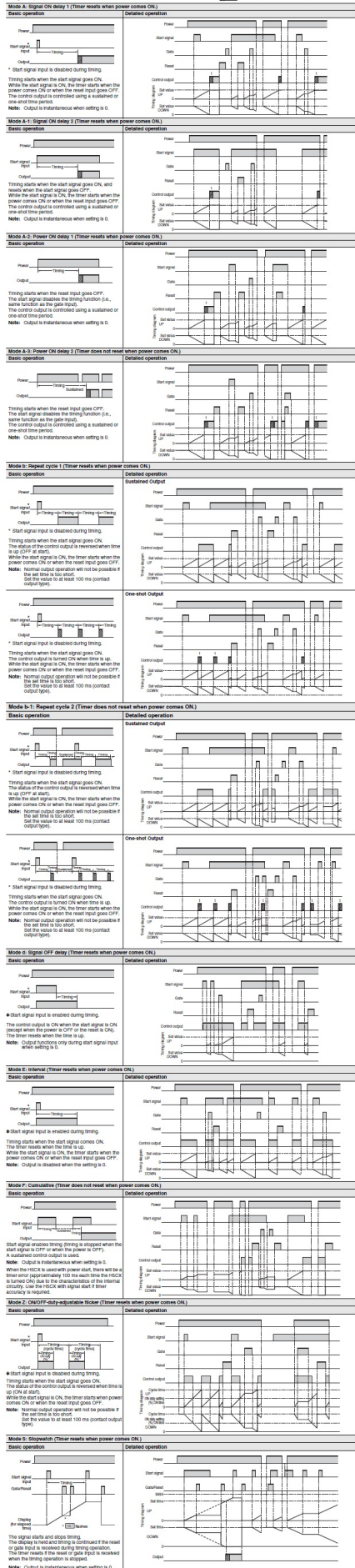
Operating chart

情報更新：2024/12/23

Timing Charts
Operating Procedures for Timer Function

Models without Instantaneous Contact Outputs

The gate input is not included in the H5CX-L8E models. Either one-shot output or sustained output can be selected.



Timing Charts

Operating Procedures for Twin Timer Function

Models without Instantaneous Contact Outputs

The gate input is not included in the H5CX-L8□ models.

| Mode toff: Flicker OFF start 1 (Timer resets when power comes ON.) | |
|---|--------------------|
| Basic operation | Detailed operation |
| <p>* Start signal input is disabled during timing.</p> <p>Timing starts when the start signal goes ON. The status of the control output is reversed when time is up (OFF at start). While the start signal is ON, the timer starts when the power comes ON or when the reset input goes OFF.</p> <p>Note: Normal output operation will not be possible if the set time is too short. Set the value to at least 100 ms (contact output type).</p> | |
| Mode ton: Flicker OFF start 1 (Timer resets when power comes ON.) | |
| Basic operation | Detailed operation |
| <p>* Start signal input is disabled during timing.</p> <p>Timing starts when the start signal goes ON. The status of the control output is reversed when time is up (ON at start). While the start signal is ON, the timer starts when the power comes ON or when the reset input goes OFF.</p> <p>Note: Normal output operation will not be possible if the set time is too short. Set the value to at least 100 ms (contact output type).</p> | |
| Mode toff-1: Flicker OFF start 2 (Timer does not reset when power comes ON.) | |
| Basic operation | Detailed operation |
| <p>* Start signal input is disabled during timing.</p> <p>Timing starts when the start signal goes ON. The status of the control output is reversed when time is up (OFF at start). While the start signal is ON, the timer starts when the power comes ON or when the reset input goes OFF.</p> <p>Note: Normal output operation will not be possible if the set time is too short. Set the value to at least 100 ms (contact output type).</p> | |
| Mode ton-1: Flicker ON start 2 (Timer does not reset when power comes ON.) | |
| Basic operation | Detailed operation |
| <p>* Start signal input is disabled during timing.</p> <p>Timing starts when the start signal goes ON. The status of the control output is reversed when time is up (ON at start). While the start signal is ON, the timer starts when the power comes ON or when the reset input goes OFF.</p> <p>Note: Normal output operation will not be possible if the set time is too short. Set the value to at least 100 ms (contact output type).</p> | |

RoHS/REACH対応状況

情報更新：2026/6/17

H5CX-L8SD-NのRoHS対応状況については、営業部門もしくは販売店にお問い合わせください。

注意事項・凡例

”対応済み”で記載される商品であっても、流通在庫等で未対応品が混在する可能性があります。
非含有品が必要な際は、弊社営業部門もしくは販売店へお問い合わせください。

※1 対応状況

- ・  対応済み : EU RoHS指令（10物質）の非含有に対応した製品が提供可能な商品です。
- ・ 対応予定 : EU RoHS指令（10物質）の非含有に対応した製品に切り替える予定のある商品です。
- ・ 対応予定なし : EU RoHS指令（10物質）の非含有に非対応の商品で、対応品を出す予定はありません。
- ・ 調査・確認中 : EU RoHS指令（10物質）の非含有の対応状況を調査中または確認中の商品です。
- ・ 非該当品 : ライセンス料など無形物で、有害物質有無と関係のない商品です。

仕入先様の事情により、非含有部品としていたものが、含有品と判明した場合などやむを得ず変更することがあります。

* EU RoHS指令（10物質）：

鉛(Pb) 1000ppm以下、水銀(Hg) 1000ppm以下、カドミウム(Cd) 100ppm以下、六価クロム(Cr(VI)) 1000ppm以下、
ポリ臭化ビフェニル類(PBB) 1000ppm以下、ポリ臭化ジフェニルエーテル類(PBDE) 1000ppm以下、
フタル酸ビス(2-エチルヘキシル) (DEHP)(別名：DOP) 1000ppm以下、フタル酸ブチルベンジル (BBP) 1000ppm以下、
フタル酸ジブチル (DBP) 1000ppm以下、フタル酸ジイソブチル (DIBP) 1000ppm以下
但し、RoHS指令で産業用監視および制御機器に対する適用除外項目は除く。
フタル酸エステル類の4物質については閾値を超える意図的な使用がないことを確認しています。

※2 対応予定月

部品在庫の切り替え状況などにより、予定月が前後することがあります。

※3 非含有証明書ダウンロード

下記の非含有証明書をダウンロードすることができます。

- ・ EU RoHS指令（10物質）の非含有証明書
- ・ 49物質の非含有証明書（当社基準）

※ 本証明書は発行日時時点で非含有を証明するもので、過去に遡って非含有を証明するものではありません。

また、RoHS指令のフタル酸エステル類4物質の対応では、対応完了までの期間は出荷製品に未対応品が混在することから備考欄に
対応日を記載しておりました。

既に当社にて対応品への在庫切替を完了していることから、特段のことがない限り、2022年1月12日より割愛しております。

規格認証/適合状況

| UL認証 | CSA認証 | CEマーキング適合 | CCC認証 | 電波法 |
|------|-------|-----------|-------|-----|
| Yes | Yes | Yes | Yes | N/A |

| LR型式承認 (イギリス 船舶規格) | DNV型式承認 (ノルウェー 船舶規格) | BV型式承認 (フランス 船舶規格) | KR型式承認 (韓国 船舶規格) | NK型式承認 (日本 船舶規格) | ABS型式承認 (アメリカ 船舶規格) |
|--------------------------|----------------------------|--------------------------|------------------------|------------------------|---------------------------|
| No | No | No | No | No | No |

[この製品の規格認証/適合状況ページへ>](#)
[その他の認証はこちらのページからご検索ください>](#)