

温度調節器（デジタル調節計）プログラムタイプ

# E5AC-TCX4ASM-005



## 商品概要

Programmable Digital Temperature Controller, 96 x 96 mm, Linear current output, Auxiliary output: 4, Power supply voltage: 100 to 240 VAC, Universal inputs, 4 event inputs, Screw terminal block model

## 販売状況

2026/03/23 00:00 情報更新

|          |          |
|----------|----------|
| 販売状況     | 販売中      |
| 機種区分     | 受注生産機種   |
| 標準価格(税別) | ¥ 52,000 |

推奨代替品の最新情報につきましては、当社Webサイト([www.fa.omron.co.jp](http://www.fa.omron.co.jp))の「生産終了品/推奨代替品」をご覧ください。  
在庫状況/標準価格の最新情報につきましては、当社Webサイト([www.fa.omron.co.jp](http://www.fa.omron.co.jp))の「在庫状況/標準価格照会」をご覧ください。

# 詳細情報

## Ratings / Performance

情報更新：2025/11/04

### Ratings

|                                  |   |  |
|----------------------------------|---|--|
| Shape                            | DIN 96 x 96   |  |
| Fixed/Programmable               | Programmable  |  |
| Power supply voltage             | 100 to 240 VAC (50/60 Hz)   |  |
| Allowable voltage variable range | 85 to 110% of the power supply voltage  |  |
| Power consumption                | 9 VA max. (at 100 to 240 VAC)   |  |
| Input                            | Number of input points  | 1 point  |
|                                  | Temperature input   | Thermocouple: K, J, T, E, L, U, N, R, S, B, C/W, PLII<br>Platinum resistance thermometer: Pt100, JPt100<br>Infrared Thermosensor: 10 to 70 °C, 60 to 120 °C,<br>115 to 165 °C, 140 to 260 °C |
|                                  | Analog input  | 4 to 20 mA or 0 to 20 mA   |
|                                  | Input impedance   | Current input: 150 Ω max., voltage input: 1 MΩ min. (Applicable when connecting 1:1 to ES2-HB-N/THB-N.)  |
| Control method                   | ON/OFF control or 2-PID control (with auto-tuning)  |  |
| Control output                   | Number of total control output  | 1 point  |
|                                  | Control output 1  | Linear current output  |
|                                  | Control output 2  | None   |
|                                  | Linear current output   | 1 point<br>4 to 20 mA DC / 0 to 20 mA DC, Load: 500 Ω max.,<br>Resolution: approx. 10000   |
| Auxiliary output                 | Number of total auxiliary output  | 4 point  |
|                                  | Relay output  | SPST-NO, 250 VAC, 2 A (resistive load), electrical life: 100,000 operations (minimum applicable load: 5 V, 10 mA)  |
| Event input                      | 4 point<br>Contact input: ON: 1 kΩ max., OFF: 100 kΩ min.<br>No-contact input: ON: Residual voltage 1.5 V max.,<br>OFF: Leakage current 0.1 mA max.<br>Current flow: Approx. 7 mA per point |  |
| Setting method                   | Digital setting using front panel keys  |  |
| Indication method                | 11-segment digital display and individual indicators  |  |
| Sampling period                  | 50 ms   |  |
| Hysteresis                       | Temperature input: 0.1 to 999.9 °C or °F (in units of 0.1 °C or °F)<br>Analog input: 0.01 to 99.99% FS (in units of 0.01%)  |  |

|                                 |                       |   |
|---------------------------------|-----------------------|---|
|                                 |                       | FS)   |
| Proportional band               |                       | Temperature input: 0.1 to 999.9 °C or °F (in units of 0.1 °C or °F)<br>Analog input: 0.1% to 999.9% FS (in units of 0.1% FS)  |
| Integral time                   |                       | 0 to 9999 s (in units of 1 s), 0.0 to 999.9 s (in units of 0.1 s)   |
| Derivative time                 |                       | 0 to 9999 s (in units of 1 s), 0.0 to 999.9 s (in units of 0.1 s)   |
| for cooling                     | Proportional band (P) | Temperature input: 0.1 to 999.9 °C or °F (in units of 0.1 °C or °F)<br>Analog input: 0.1% to 999.9% FS (in units of 0.1% FS)  |
|                                 | Integral time (I)     | 0 to 9999 s (in units of 1 s), 0.0 to 999.9 s (in units of 0.1 s)   |
|                                 | Derivative time (D)   | 0 to 9999 s (in units of 1 s), 0.0 to 999.9 s (in units of 0.1 s)   |
| Control period                  |                       | 0.1 s, 0.2 s, 0.5 s, 1 to 99 s (in units of 1 s)  |
| Manual reset value              |                       | 0.0 to 100.0% (in units of 0.1%)  |
| Insulation resistance           |                       | 20 MΩ min. (at 500 VDC)   |
| Dielectric strength             |                       | 3,000 VAC 50/60 Hz 1 min (Between current-carrying terminals of different polarity)   |
| Vibration resistance            |                       | Destruction: 10 to 55 Hz, 20 m/s <sup>2</sup> for 2 h each in X, Y, and Z directions<br>Malfunction: 10 to 55 Hz, 20 m/s <sup>2</sup> for 10 min each in X, Y, and Z directions |
| Shock resistance                |                       | Destruction: 300 m/s <sup>2</sup> , 3 times each in X, Y, and Z directions<br>Malfunction: 100 m/s <sup>2</sup> , 3 times each in X, Y, and Z directions                        |
| Ambient temperature (Operating) |                       | -10 to 55 °C (with no freezing or condensation)<br>For 3-year warranty with standard mounting: -10 to 50 °C (with no freezing or condensation)                                  |
| Ambient temperature (Storage)   |                       | -25 to 65 °C (with no freezing or condensation)   |
| Ambient humidity (Operating)    |                       | 25 to 85 %  |
| Altitude                        |                       | 2000 m max.   |
| Degree of protection            |                       | Front panel: IP66, Rear case: IP20, Terminal section: IP00  |
| Memory protection               |                       | Non-volatile memory (number of writes: 1,000,000)   |
| Case color                      |                       | Black   |
| Terminal type                   |                       | Screw terminal block  |
| Accessories                     |                       | Mounting adapter, Waterproof packing, Front Port Cover  |
| Weight                          |                       | Main Unit: Approx. 250 g<br>Adapter: Approx. 4 g x 2  |

|                 |   |
|-----------------|---|
| Sold separately | USB Serial Conversion Cable: E58-CIFQ2<br>Communications Conversion Cable: E58-CIFQ2-E<br>Terminal Cover: E53-COV24<br>Waterproof packing: Y92S-P10<br>Waterproof Cover: Y92A-96N<br>Front Port Cover: Y92S-P7<br>Adapter: Y92F-51<br>CX-Thermo Support Software: EST2-2C-MV4 |
|-----------------|---|

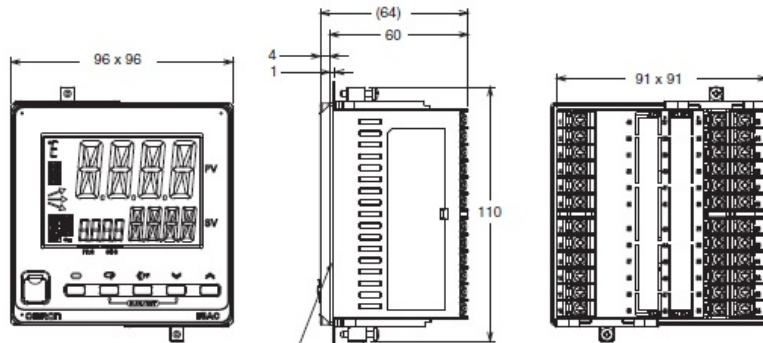
## Accuracy

|                                       |   |
|---------------------------------------|---|
| Indication accuracy                   | Thermocouple: ( $\pm 0.3\%$ of indicated value or $\pm 1\text{ }^{\circ}\text{C}$ , whichever is greater) $\pm 1$ digit max.<br>Platinum resistance thermometer: ( $\pm 0.2\%$ of indicated value or $\pm 0.8\text{ }^{\circ}\text{C}$ , whichever is greater) $\pm 1$ digit max.<br>Analog input: $\pm 0.2\%$ FS $\pm 1$ digit max.<br>(The indication accuracy of K thermocouples in the $-200$ to $1300\text{ }^{\circ}\text{C}$ range, T and N thermocouples at a temperature of $-100\text{ }^{\circ}\text{C}$ max., and U and L thermocouples at any temperatures is $\pm 2\text{ }^{\circ}\text{C}$ $\pm 1$ digit max. B thermocouple at a temperature of $400\text{ }^{\circ}\text{C}$ max. is not specified. B thermocouples in the $400$ to $800\text{ }^{\circ}\text{C}$ range is $\pm 3\text{ }^{\circ}\text{C}$ max. R and S thermocouples at a temperature of $200\text{ }^{\circ}\text{C}$ max. is $\pm 3\text{ }^{\circ}\text{C}$ $\pm 1$ digit max. C/W thermocouples is ( $\pm 0.3\%$ PV or $\pm 3\text{ }^{\circ}\text{C}$ , whichever is greater) $\pm 1$ digit max. PL II thermocouples is ( $\pm 0.3\%$ PV or $\pm 2\text{ }^{\circ}\text{C}$ , whichever is greater) $\pm 1$ digit max.) |
| Influence of temperature/voltage      | Thermocouple: R, S, B, C/W, and PLII: ( $\pm 1\%$ of indicated value or $\pm 10\text{ }^{\circ}\text{C}$ , whichever is greater) $\pm 1$ digit max.<br>Other thermocouple: ( $\pm 1\%$ of indicated value or $\pm 4\text{ }^{\circ}\text{C}$ , whichever is greater) $\pm 1$ digit max.. However K thermocouple at $-100\text{ }^{\circ}\text{C}$ max.: $\pm 10\text{ }^{\circ}\text{C}$ max.<br>Platinum resistance thermometer: ( $\pm 1\%$ of indication value or $\pm 2\text{ }^{\circ}\text{C}$ , whichever is greater) $\pm 1$ digit max.<br>Analog input: $\pm 1\%$ FS $\pm 1$ digit max.<br>Ambient temperature: $-10$ to $23$ to $55\text{ }^{\circ}\text{C}$ , Voltage range: $-15$ to $10\%$ of rated voltage  |
| Influence of EMS.                     | Thermocouple: R, S, B, C/W, and PLII: ( $\pm 1\%$ of indicated value or $\pm 10\text{ }^{\circ}\text{C}$ , whichever is greater) $\pm 1$ digit max.<br>Other thermocouple: ( $\pm 1\%$ of indicated value or $\pm 4\text{ }^{\circ}\text{C}$ , whichever is greater) $\pm 1$ digit max.. However K thermocouple at $-100\text{ }^{\circ}\text{C}$ max.: $\pm 10\text{ }^{\circ}\text{C}$ max.<br>Platinum resistance thermometer: ( $\pm 1\%$ of indication value or $\pm 2\text{ }^{\circ}\text{C}$ , whichever is greater) $\pm 1$ digit max.<br>Analog input: $\pm 1\%$ FS $\pm 1$ digit max.  |
| Influence of signal source resistance | Thermocouple: $0.1\text{ }^{\circ}\text{C}/\Omega$ max. ( $100\text{ }\Omega$ max.)<br>Platinum resistance thermometer: $0.1\text{ }^{\circ}\text{C}/\Omega$ max. ( $10\text{ }\Omega$ max.)  |

# Dimensions

情報更新：2025/11/04

## E5AC-T

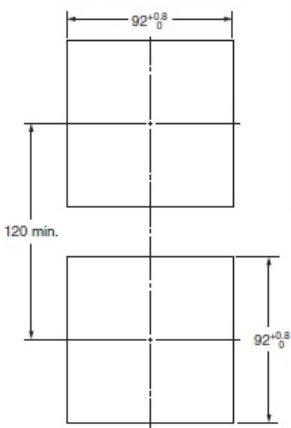


Waterproof Packing  
(Accessory, Y92S-P10  
(also available for  
ordering separately))

Mounting Adapter  
(Accessory, Y92F-51  
(also available for  
ordering separately))

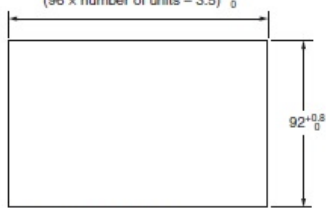
- Setup Tool ports are provided as standard feature. Use these ports to connect a computer to the Digital Temperature Controller. The E58-CIFQ2 USB-Serial Conversion Cable is required to connect to the port on the top panel. The E58-CIFQ2 USB-Serial Conversion Cable and E58-CIFQ2-E Communications Conversion Cable are required to connect to the port on the front panel. (You cannot leave either port connected constantly during operation.)

### Mounted Separately



### Group Mounted

$(96 \times \text{number of units} - 3.5)^{+1.0}_0$



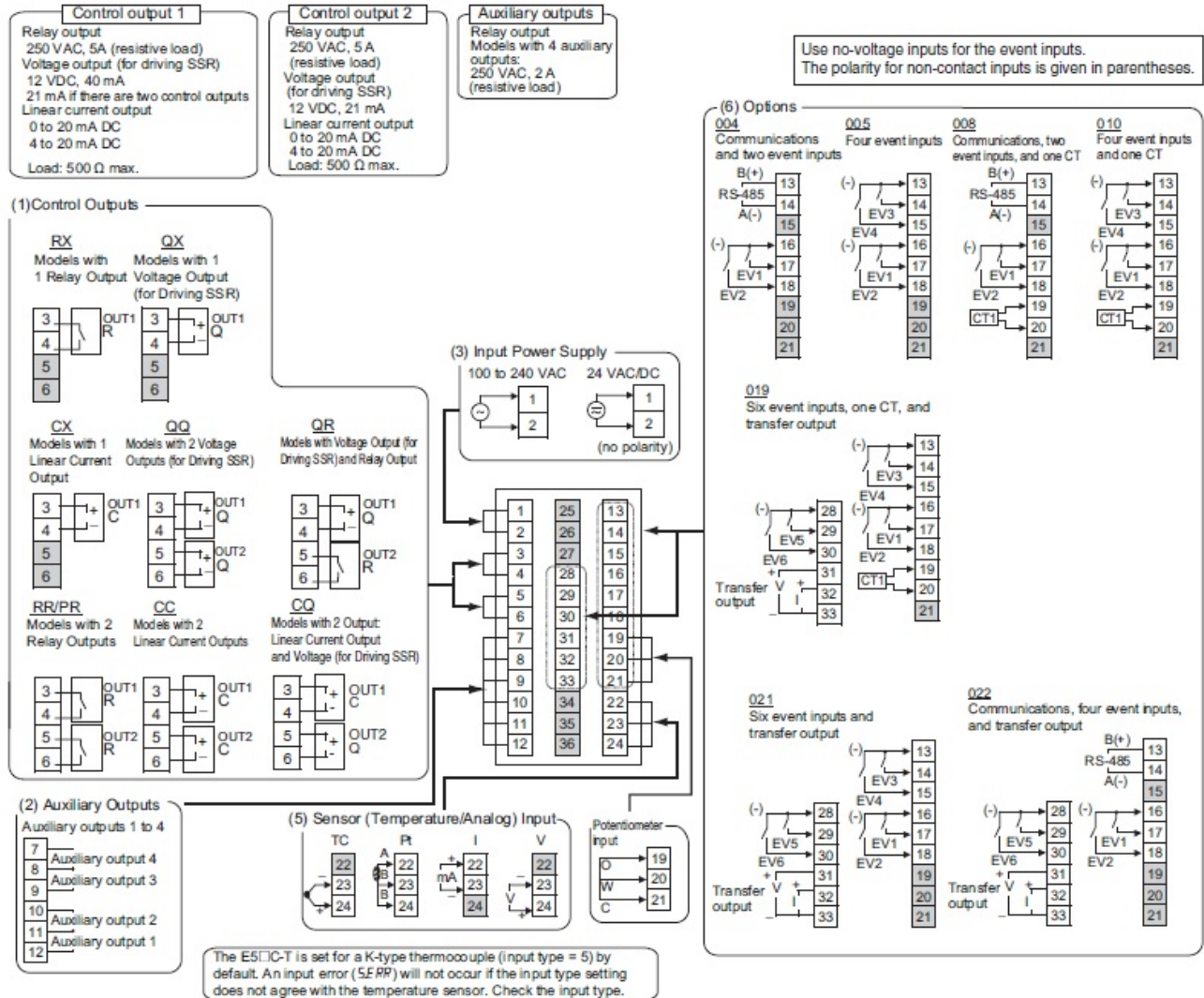
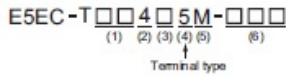
Group mounting does not allow waterproofing.

- Recommended panel thickness is 1 to 8 mm.
- Group mounting is not possible in the vertical direction. (Maintain the specified mounting space between Controllers.)
- To mount the Controller so that it is waterproof, insert the waterproof packing onto the Controller.
- When two or more Controllers are mounted, make sure that the surrounding temperature does not exceed the allowable operating temperature specified in the specifications.

# Connection diagram

情報更新：2025/11/04

## E5EC-T/E5AC-T

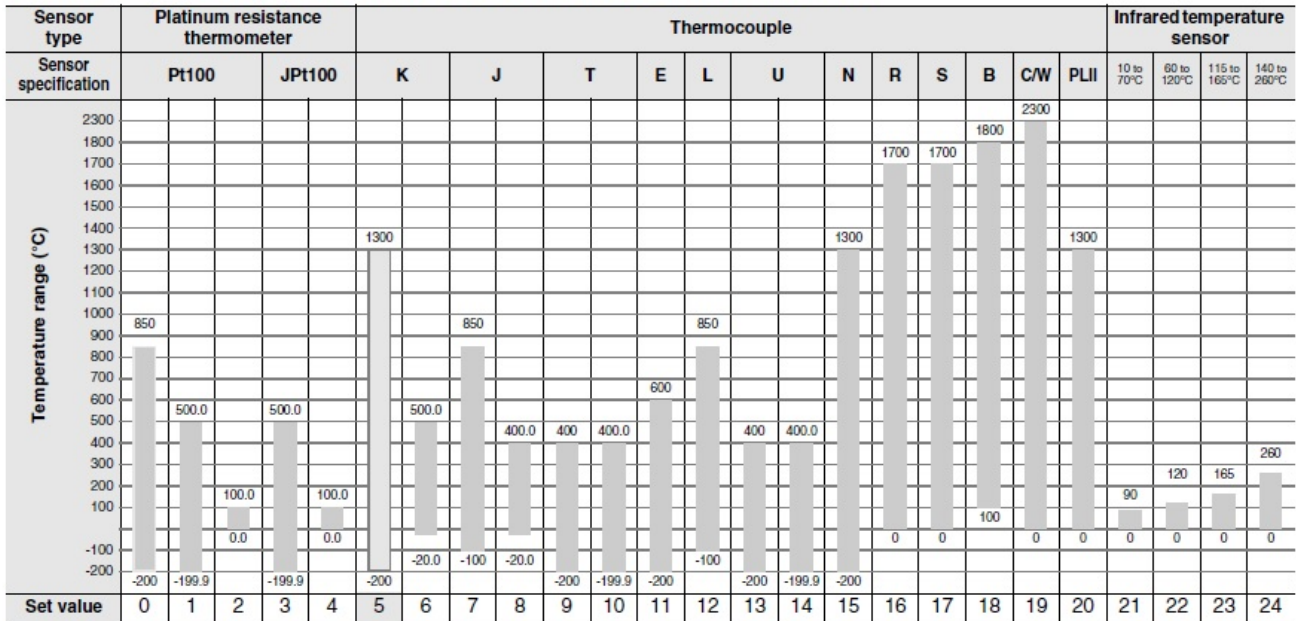


- Note:**
- The application of the terminals depends on the model.
  - Do not wire the terminals that are shown with a gray background.
  - When complying with EMC standards, the cable that connects the sensor must be 30 m or less. If the cable length exceeds 30 m, compliance with EMC standards will not be possible.
  - Connect M3 crimped terminals.
  - Due to UL Listing requirements, use the E54-CT1L or E54-CT3L Current Transformer with the factory wiring (internal wiring). Use a UL category X0BA or X0BA7 current transformer that is UL Listed for field wiring (external wiring) and not the factory wiring (internal wiring).

# Input ranges list

情報更新：2025/11/04

## Thermocouple/Platinum Resistance Thermometer (Universal inputs)



Shaded settings are the default settings.

The applicable standards for the input types are as follows:

K, J, T, E, N, R, S, B: JIS C 1602-2015, IEC 60584-1

JPt100: JIS C 1604-1989, JIS C 1606-1989

L: Fe-CuNi, DIN 43710-1985

Pt100: JIS C 1604-1997, IEC 60751

U: Cu-CuNi, DIN 43710-1985

PL II: According to Platinel II electromotive force charts from BASF (previously Engelhard)

C/W: W5Re/W26Re, JIS C 1602-2015, ASTM E988-1990

## Analog input

| Input type          | Current   |            | Voltage  |          |           |
|---------------------|---|------------|----------|----------|-----------|
| Input specification | 4 to 20 mA  | 0 to 20 mA | 1 to 5 V | 0 to 5 V | 0 to 10 V |
| Setting range       | Usable in the following ranges by scaling:<br>-1999 to 9999, -199.9 to 999.9,<br>-19.99 to 99.99 or -1.999 to 9.999 |            |          |          |           |
| Set value           | 25  | 26         | 27       | 28       | 29        |



## RoHS/REACH対応状況

情報更新：2026/3/18

### EU RoHS

| 対応状況 ※1  | 対応予定月 ※2 | 非含有証明書 ※3                  |
|--|----------|----------------------------|
|  対応済み |          | <a href="#">ダウンロードはこちら</a> |

### 中国 RoHS

| 中国 RoHS表 ※1※2 |    |    |        |      |       |     |      |     |      |              |
|---------------|----|----|--------|------|-------|-----|------|-----|------|--------------|
| Pb            | Hg | Cd | Cr(VI) | PBBs | PBDEs | DBP | DIBP | BBP | DEHP | 環境保護<br>使用期限 |
| X             | O  | O  | O      | O    | O     | O   | O    | O   | O    | 10           |

- ・“対応済み”や非含有の記載がされた商品であっても、流通在庫等で未対応品が混在する可能性があります。
- ・非含有品が必要な際は、弊社営業部門もしくは販売店へお問い合わせください。

[この製品のRoHS/REACH対応状況ページへ>](#)

## 注意事項・凡例

”対応済み”で記載される商品であっても、流通在庫等で未対応品が混在する可能性があります。  
非含有品が必要な際は、弊社営業部門もしくは販売店へお問い合わせください。

### ※1 対応状況

- ・  対応済み : EU RoHS指令（10物質）の非含有に対応した製品が提供可能な商品です。
- ・ 対応予定 : EU RoHS指令（10物質）の非含有に対応した製品に切り替える予定のある商品です。
- ・ 対応予定なし : EU RoHS指令（10物質）の非含有に非対応の商品で、対応品を出す予定はありません。
- ・ 調査・確認中 : EU RoHS指令（10物質）の非含有の対応状況を調査中または確認中の商品です。
- ・ 非該当品 : ライセンス料など無形物で、有害物質有無と関係のない商品です。

仕入先様の事情により、非含有部品としていたものが、含有品と判明した場合などやむを得ず変更することがあります。

\* EU RoHS指令（10物質）：

鉛(Pb) 1000ppm以下、水銀(Hg) 1000ppm以下、カドミウム(Cd) 100ppm以下、六価クロム(Cr(VI)) 1000ppm以下、  
ポリ臭化ビフェニル類(PBB) 1000ppm以下、ポリ臭化ジフェニルエーテル類(PBDE) 1000ppm以下、  
フタル酸ビス(2-エチルヘキシル) (DEHP)(別名：DOP) 1000ppm以下、フタル酸ブチルベンジル (BBP) 1000ppm以下、  
フタル酸ジブチル (DBP) 1000ppm以下、フタル酸ジイソブチル (DIBP) 1000ppm以下  
但し、RoHS指令で産業用監視および制御機器に対する適用除外項目は除く。  
フタル酸エステル類の4物質については閾値を超える意図的な使用がないことを確認しています。

### ※2 対応予定月

部品在庫の切り替え状況などにより、予定月が前後することがあります。

### ※3 非含有証明書ダウンロード

下記の非含有証明書をダウンロードすることができます。

- ・ EU RoHS指令（10物質）の非含有証明書
- ・ 49物質の非含有証明書（当社基準）

※ 本証明書は発行日時時点で非含有を証明するもので、過去に遡って非含有を証明するものではありません。

また、RoHS指令のフタル酸エステル類4物質の対応では、対応完了までの期間は出荷製品に未対応品が混在することから備考欄に  
対応日を記載しておりました。

既に当社にて対応品への在庫切替を完了していることから、特段のことがない限り、2022年1月12日より割愛しております。

## 規格認証/適合状況

| UL認証 | CSA認証 | CEマーキング適合 | CCC認証 |
|------|-------|-----------|-------|
| Yes  | Yes   | Yes       | N/A   |

| LR型式承認<br>（イギリス<br>船舶規格） | DNV型式承認<br>（ノルウェー<br>船舶規格） | BV型式承認<br>（フランス<br>船舶規格） | KR型式承認<br>（韓国<br>船舶規格） | NK型式承認<br>（日本<br>船舶規格） | ABS型式承認<br>（アメリカ<br>船舶規格） |
|--------------------------|----------------------------|--------------------------|------------------------|------------------------|---------------------------|
| No                       | No                         | No                       | No                     | No                     | No                        |

[この製品の規格認証/適合状況ページへ](#)  
[その他の認証はこちらのページからご検索ください](#)