

Safety I/O Terminal GI-S Series

GI-SMD/SID

Safety I/O Terminals for CIP Safety™

- Standard-feature EtherNet/IP™ port
- Support for CIP Safety™ on EtherNet/IP™
- Safety I/O of NX Safety Control System easily programmable with Sysmac Studio



For the most recent information on models that have been certified for safety standards, refer to your local Omron website.

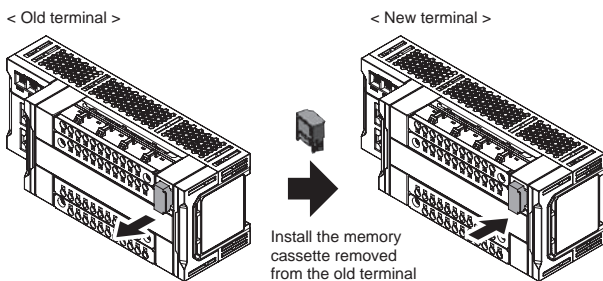
Features

- Meets EN ISO 13849- 1 (PLe/Category 4) and IEC 61508 (SIL3)
- Memory cassette for quick replacement of terminal
- Removable terminal block for easy maintenance
- Push-In Plus (screwless clamping) terminal block

Quick replacement of terminal

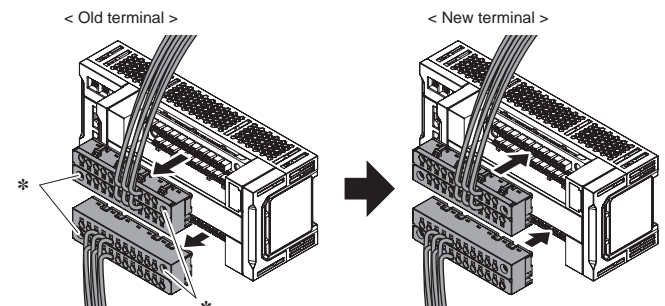
■ Memory cassette for quick replacement of terminal

Remove the memory cassette from the old terminal and install it into the new one to inherit the settings. No software is required.



■ Removable terminal block

Remove the wired terminal block from the old terminal and install it into the new one. No re-wiring is required.



* The Common Industrial Protocol (CIP™) is an industry standard open network, enabling seamless communication among CIP networks. CIP Safety™ adds safety functionality to CIP networks.


- Sysmac and SYSMAC are trademarks or registered trademarks of OMRON Corporation in Japan and other countries for OMRON factory automation products.
- Microsoft, Windows, Windows Vista, Excel, and Visual Basic are either registered trademarks or trademarks of Microsoft Corporation in the United States and other countries.
- ODVA, CIP™, CompoNet™, DeviceNet™, EtherNet/IP™, and CIP Safety™ are trademarks of ODVA.
- The SD and SDHC logos are trademarks of SD-3C, LLC.

Other company names and product names in this document are the trademarks or registered trademarks of their respective companies.

GI-SMD/SID

Ordering Information

GI-S-series safety I/O terminals

Unit type	Appearance	Specification							Unit version	Model
		Corresponding communication protocol	Number of connectors	Number of networks	Number of safety input points	Number of test output point	Number of safety output points	OMRON special safety input devices		
Safety I/O Terminals		EtherNet/IP	2	1 *1	12 points	12 points	4 points	Cannot be connected. *2	Ver. 1.0	GI-SMD1624
					12 points	12 points	---		Ver. 1.0	GI-SID1224

*1. PORT1 and PORT2 are ports with switching hub.

*2. OMRON special safety input devices that require dedicated controllers cannot be connected directly to the GI-S Series. Refer to *Individual Unit Specifications* for details.

Accessories

Not included.

Automation Software Sysmac Studio

Please purchase a DVD and required number of licenses the first time you purchase the Sysmac Studio. DVDs and licenses are available individually. Each model of licenses does not include any DVD.

Product name	Specifications	Number of licenses	Media	Model
		---	Sysmac Studio 32-bit edition DVD	
Sysmac Studio Standard Edition Ver. 1.□□	Sysmac Studio runs on the following OS. *2 Windows 7(32-bit/64-bit version)/8(32-bit/64-bit version)/8.1(32-bit/64-bit version)/10(32-bit/64-bit version)/11(64-bit version) For details, refer to your local OMRON website.	---	Sysmac Studio 64-bit edition DVD	SYSMAC-SE200D-64
		1 license *3	---	SYSMAC-SE201L
Sysmac Studio Safety Edition *4 Ver. 1.□□	Sysmac Studio Safety Edition is a license including necessary setting functions for the safety control system. *This product is a license only. You need the Sysmac Studio Standard Edition DVD media to install it.	1 license	---	SYSMAC-FE001L

Note: For details of the Automation Software Sysmac Studio, refer to your local OMRON website.

*1. The Sysmac Studio Standard Edition License (SYSMAC-SE2□□L) includes functions that the Safety Edition (SYSMAC-FE001L) provides.

The Communication Control Unit can be used with the Sysmac Studio version 1.24 or higher.

*2. Model "SYSMAC-SE200D-64" runs on Windows 10 (64bit) or higher.

*3. Multi licenses are available for the Standard Edition (3, 10, 30, or 50 licenses).

*4. The Safety Edition can be used with a safety control system using the Communication Control Unit or EtherNet/IP Coupler Unit.

Specifications

Regulations and Standards

GI-S-series safety I/O terminals

Certification body	Standards
TÜV Rheinland	<ul style="list-style-type: none"> • EN ISO 13849-1 • IEC 61508 parts 1-7 • IEC/EN 61131-2
UL	<ul style="list-style-type: none"> • NRAG (UL 61010-1, UL 61010-2-201 and UL 121201) • NRAG7 (CSA C22.2 No. 61010-1, CSA C22.2 No. 61010-2-201 and CSA C22.2 No. 213)

- The FSoE protocol was certified for applications in which OMRON FSoE devices are connected to each other. For compatibility with FSoE devices other than OMRON FSoE devices, the customer must validate FSoE communications.

By using GI-S-series safety I/O terminals, you can build a safety control system that meets the followings.

- Requirements for SIL 3 in IEC 61508
- Requirements for PLe/category 4 in EN ISO13849-1

Also, GI-S-series safety I/O terminals have been registered for conformity to RCM and KC (Korean radio regulation).

General Specifications

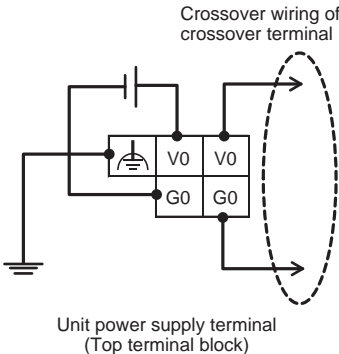
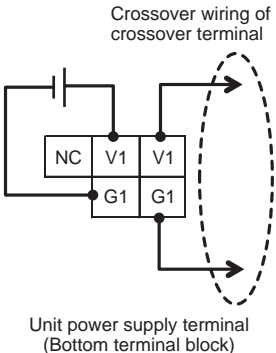
Item		Specification
Enclosure		Mounted in a panel (open type)
Operating environment	Ambient operating temperature	0 to 55°C
	Ambient operating humidity	10% to 95% (with no condensation or icing)
	Atmosphere	Must be free from corrosive gases
	Ambient storage temperature	-25 to 70°C (with no condensation or icing)
	Altitude	2,000 m max.
	Pollution degree	2
	Insulation class	CLASS III (SELV)
	Overvoltage category	II
	EMC immunity level	Zone B: IEC 61131-2
	Vibration resistance	Conforms to IEC 60068-2-6 5 to 8.4 Hz with amplitude of 3.5 mm 8.4 to 150 Hz, acceleration of 9.8 m/s ² 100 min. in each X, Y, and Z directions (10 sweeps of 10 min. each = 100 min. total)
	Shock resistance	Conforms to IEC 60068-2-27 147 m/s ² 3 times in each X, Y, and Z directions
Insulation resistance	20 MΩ between isolated circuits (at 100 VDC)	
Dielectric strength	500 VAC between isolated circuits for 1 minute at a leakage current of 10 mA max.	
Installation method		DIN Track mounting (IEC 60715 TH35-7.5/TH35-15)
Degree of protection		IP20

GI-SMD/SID

Individual Unit Specifications

GI-SMD1624/GI-SID1224

Model		GI-SMD1624	GI-SID1224
Number of safety input points		12	
Number of safety output points		4	---
Number of test output points		12	
OMRON special safety input device *1		Connection unavailable	
LED indication		[V0] LED, [IN□] LED x 12, [V1] LED, [OUT□] LED x 4, [MS] LED, [NS] LED, [PORT□ LINK] LED x 2	[V0] LED, [IN□] LED x 12, [V1] LED, [MS] LED, [NS] LED, [PORT□ LINK] LED x 2
Hardware switch setting		[IP ADDRESS] switch x3 (MODE, x16, x1) <div style="text-align: center;"> </div> <p>* Factory default GI-SMD1624 : 192.168.250.2 [IP ADDRESS] Switch= "002" GI-SID1224 : 192.168.250.3 [IP ADDRESS] Switch= "003"</p>	
Safety input type		IEC61131-2 type3 PNP (sinking inputs)	
Safety input current		6 mA max.	
Safety input ON voltage		11 VDC min.	
Safety input OFF voltage/OFF current		5 VDC max./1 mA max.	
Safety output type		Source output (for PNP)	
Safety output rated current		0.5 A max.	*2
Maximum total safety output current		2.0 A	
Safety output ON residual voltage		1.2 V max. (between V1 and each output terminal)	
Safety output OFF residual voltage		2.0 V max. (between G1 and each output terminal)	
Safety output leakage current		0.1 mA max.	
Test output type		Source output (for PNP)	
Test output rated current		0.7 A max.	
Maximum total test output current		5.0 A	
Test output ON residual voltage		1.2 V max. (between V0 and each output terminal)	
Test output leakage current		0.1 mA max.	
External dimensions *3		170 (W) x 65 (H) x 55 (D)	
Weight		400 g	
Number of communications that can be set between NX Units		254 ports max. *3	
Unit power supplies	Power supply voltage	24 VDC (20.4 to 28.8 VDC)	
	Current consumption *4	250 A max.	
	Inrush current	On cold start at normal temperature 50 A max., 0.1 ms max.	
	Power supply terminal current carrying capacity *5	5 A	
	Insulation type	No insulation: Between unit power supply terminal and internal circuit	
Output power supply	Power supply voltage	24 VDC (20.4 to 28.8 VDC)	
	Current consumption	50 A max.	
	Inrush current	On cold start at normal temperature 50 A max., 0.1 ms max.	
	Power supply terminal current carrying capacity *5	5 A	
	Insulation type	Photocoupler insulation	
External connection terminal	Communication connector	EtherNet/IP communication RJ45 x 2	
	Screwless clamp terminal block	Top terminal block Functional earthing Unit power supply Input/Test output Bottom terminal block Output power supply Output/Input/Test output	Top terminal block Functional earthing Unit power supply Input/Test output Bottom terminal block Input/Test output

Model		GI-SMD1624	GI-SID1224
Inter-terminal connection diagram	V0/G0 Unit power supply		
	V1/G1 Output power supply		*2
Installation direction and restriction		No restriction	
Protective function		Overvoltage protection, overcurrent protection	

*1. OMRON special safety input devices are the following input devices:

- Safety mat UMA, UM (The UM Series was discontinued at the end of June 2019.)
- Safety edge SGE
- Single-beam safety sensor E3ZS
- Non-contact door switch D40A, D40Z

*2. GI-SID1224 has no output signal terminal and no output power supply is connected.

*3. Projections are not included.

*4. Inrush current when the supply power is turned ON from the static power-OFF state. Inrush current value may vary depending on conditions. For your selection of fuses, breakers, and external power supply units, take into account the conditions to be used to select those that have a margin in characteristics and capacity.

*5. Current-carrying capacity allowed to continuously flow through the terminal. This current must not be exceeded in case crossover wiring is done for the unit power supply.

GI-SMD/SID

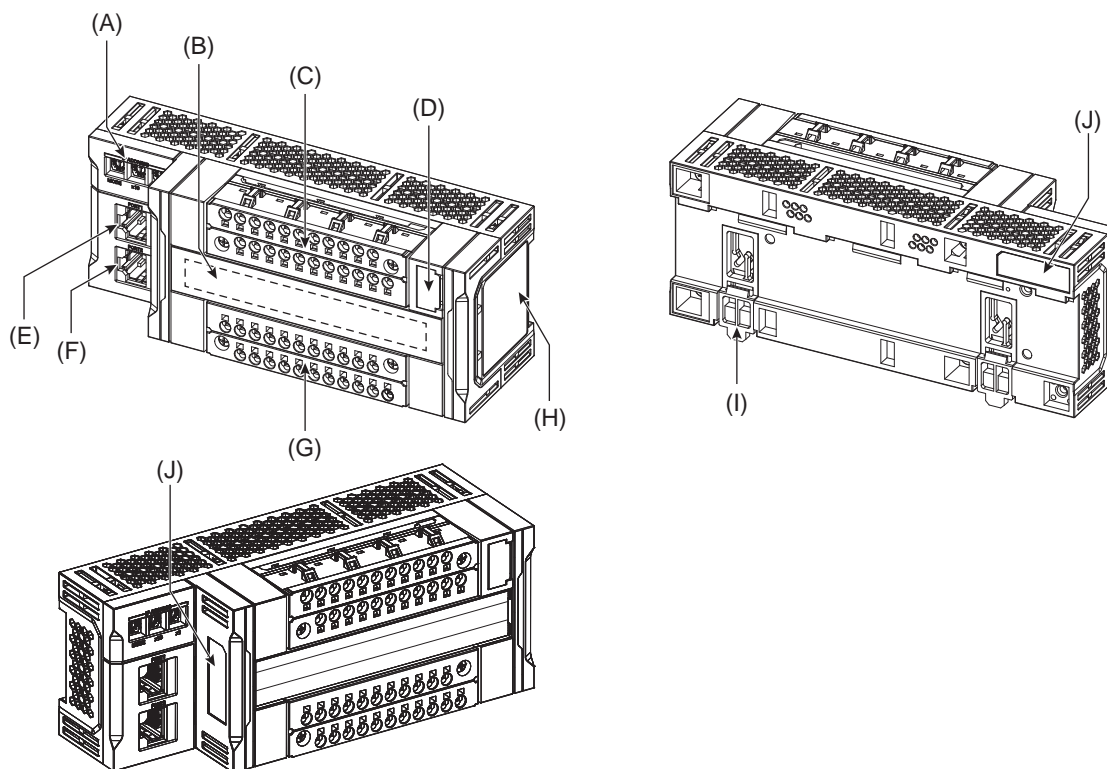
Item		Specifications	
		GI-SMD1624 / GI-SID1224	
Communications protocol		TCP/IP, UDP/IP	
Support services		Sysmac Studio connection, tag data links, CIP message communication, DHCP (client)	
Number of logical ports		1	
Physical layer		100BASE-TX	
Transmission specifications	Media access method	CSMA/CD	
	Modulation	Baseband	
	Transmission path	Star, daisy chain, mixed (star and daisy chain), ring (DLR)	
	Transmission rate	100M bit/s (100BASE-TX)	
	Transmission media	Twisted-pair cable (shielded: STP): category 5/5e or higher	
	Transmission distance	100m max. (distance between hub and node)	
Number of cascaded connections		50 nodes or less recommended	
CIP messaging service: Explicit message UCMM (non-connection type)		Maximum number of clients that can communicate simultaneously: 8/Logical ports	
Safety process data communications	Exclusive Owner (EO)	Input	1
		Output	1
Standard process data communications	Input Only	1 (Point to Point)	
	Listen Only	7 (Multi-Cast)	
EtherNet/IP conformance test		CT9 compliant	
Ethernet interface		100BASE-TX Auto Negotiation Auto-MDI	
DLR (Device Level Ring)		Ring Node (Beacon-based)	

Version Information

The following table shows the possible combinations of versions of GI-SMD/SID Safety I/O Terminals, Safety CPU Units, Communication Control Unit, NX-series CPU Unit, and software. Refer to the *GI-S-series Safety I/O Terminal User's Manual* (Cat. No. Z400) for details.

Safety I/O Terminal		Supported Version					
Model	Unit Version	Safety CPU Unit NX-SL5700 NX-SL5500	Communication Control Unit NX-CSG320	Machine Automation Controller NX102-□□□□	Sysmac Studio	Network Configurator	Network Configurator for DeviceNet Safety
GI-SMD1624	Ver.1.0	Ver.1.3	Ver.1.01	Ver.1.31	Ver.1.24 or higher	Ver.3.67 or higher	Ver.3.42 or higher
GI-SID1224	Ver.1.0	Ver.1.3	Ver.1.01	Ver.1.31	Ver.1.24 or higher	Ver.3.67 or higher	Ver.3.42 or higher

Component and Functions



Symbol	Name	Description
(A)	Rotary switch	Used to set the mode switching and IP address of the built-in EtherNet/IP ports (PORT1/PORT2), in hexadecimal expression.
(B)	LED indicator	Shows the operation, signal, power supply and statuses of the safety I/O terminal itself by LED.
(C)	Top terminal block	Terminal block to connect unit power supply, grounding, and input devices.
(D)	Memory cassette slot	A memory cassette is set on delivery. The memory cassette allows a user to inherit the settings when replacing GI-S-series.
(E)	Built-in EtherNet/IP port (PORT1)	Connects the built-in EtherNet/IP with an Ethernet cable.
(F)	Built-in EtherNet/IP port (PORT2)	Connects the built-in EtherNet/IP with an Ethernet cable.
(G)	Bottom terminal block	Terminal block to connect output power supply and input/output devices. *
(H)	Unit specifications	Shows the product information, standards marking, and ID information (lot number/unit version) of the safety I/O terminal.
(I)	DIN Track mounting hooks	These hooks are used to mount the Unit to a DIN Track.
(J)	ID information indication	Shows the ID information (MAC address) of the safety I/O terminal.

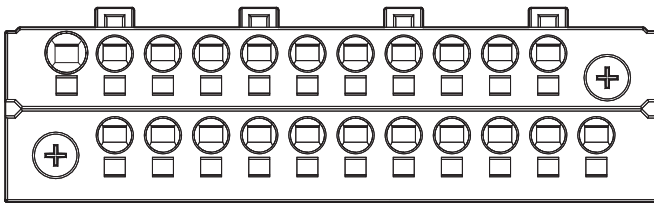
* Connection of output device is for GI-SMD1624 only.

GI-SMD/SID

Wiring

Terminal arrangement

Top terminal block

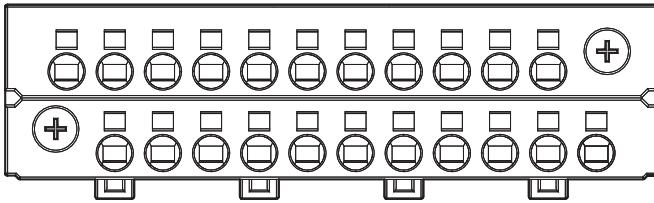


	V0	V0	IN0	IN1	IN2	IN3	IN4	IN5	IN6	IN7	
	G0	G0	T0	T1	T2	T3	T4	T5	T6	T7	NC

Symbol	Terminal name	Description
	Functional grounding	Functional grounding terminal to connect the grounding wire.
V0, G0	Unit power supply terminal	Terminal to connect the safety I/O terminal's power supply and to supply power to external devices. Power supply 24VDC is connected to V0 and 0VDC to G0, respectively. V0 and G0 terminals are internally connected.
IN0 - IN7	Input terminal	Terminal to connect a safety input device.
T0 - T7	Test output terminal	Terminal for test output.

Bottom terminal block

GI-SMD1624



NC	V1	V1	G1	OUT0	OUT1	G1	IN8	IN9	IN10	IN11	
	G1	G1	G1	OUT2	OUT3	G1	T8	T9	T10	T11	NC

Symbol	Terminal name	Description
V1, G1	Output power supply terminal	Terminal to supply power to internal output control circuit and external devices. V1 and G1 terminals are internally connected.
OUT0 - OUT3	Output terminal	Terminal to connect a safety output device.
IN8 - IN11	Input terminal	Terminal to connect a safety input device.
T8 - T11	Test output terminal	Terminal for test output.

GI-SID1224

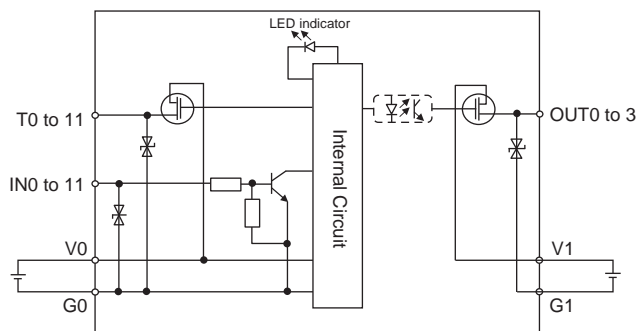
The terminal block form is same as GI-SMD1624.

NC	V1	V1	G1	NC	NC	G1	IN8	IN9	IN10	IN11	
	G1	G1	G1	NC	NC	G1	T8	T9	T10	T11	NC

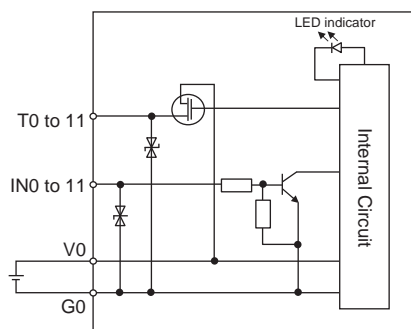
Symbol	Terminal name	Description
V1, G1	Output power supply terminal	V1 and G1 terminals are internally connected. GI-SID1224 is not connected to an output device and must not be wired.
NC	NC	Do not connect.
IN8 - IN11	Input terminal	Terminal to connect a safety input device.
T8 - T11	Test output terminal	Terminal for test output.

Internal Circuit Diagram

GI-SMD1624



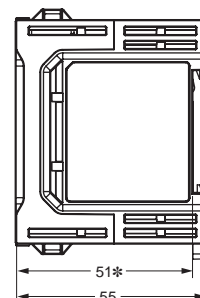
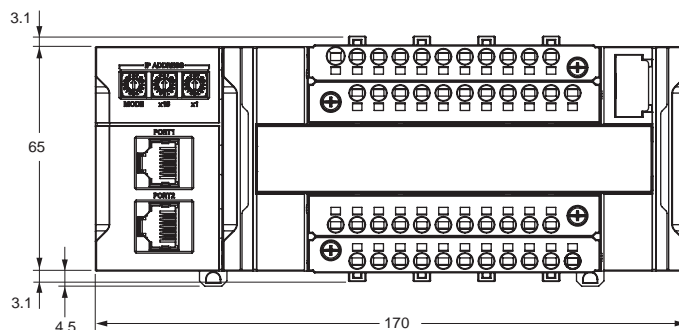
GI-SID1224



Dimensions

(Unit: mm)

GI-SMD1624
GI-SID1224



Note: For dimensions with the communications cable connected, refer to the *GI-S-series Safety I/O Terminal User's Manual*.

* This is a dimension from the DIN Track seat to the safety I/O terminal surface.

GI-SMD/SID

Related Manuals

Manual name	Cat. No.	Model numbers	Application	Description
GI-S-series Safety I/O Terminal User's Manual	Z400	GI-S□□□□□□	Learning how to use the GI-S-series safety I/O terminals.	The hardware, setup methods, and functions of the GI-S-series safety I/O terminals are described.

Safety Precautions

Be sure to read the *Common Precautions for Safety Warning* at the following URL: <http://www.ia.omron.com/>.
Be sure to read the following user's manual for other details required for correct use of the Safety I/O Terminals.

Terms and Conditions Agreement

Read and understand this catalog.

Please read and understand this catalog before purchasing the products. Please consult your OMRON representative if you have any questions or comments.

Warranties.

(a) Exclusive Warranty. Omron's exclusive warranty is that the Products will be free from defects in materials and workmanship for a period of twelve months from the date of sale by Omron (or such other period expressed in writing by Omron). Omron disclaims all other warranties, express or implied.

(b) Limitations. OMRON MAKES NO WARRANTY OR REPRESENTATION, EXPRESS OR IMPLIED, ABOUT NON-INFRINGEMENT, MERCHANTABILITY OR FITNESS FOR A PARTICULAR PURPOSE OF THE PRODUCTS. BUYER ACKNOWLEDGES THAT IT ALONE HAS DETERMINED THAT THE PRODUCTS WILL SUITABLY MEET THE REQUIREMENTS OF THEIR INTENDED USE.

Omron further disclaims all warranties and responsibility of any type for claims or expenses based on infringement by the Products or otherwise of any intellectual property right. (c) Buyer Remedy. Omron's sole obligation hereunder shall be, at Omron's election, to (i) replace (in the form originally shipped with Buyer responsible for labor charges for removal or replacement thereof) the non-complying Product, (ii) repair the non-complying Product, or (iii) repay or credit Buyer an amount equal to the purchase price of the non-complying Product; provided that in no event shall Omron be responsible for warranty, repair, indemnity or any other claims or expenses regarding the Products unless Omron's analysis confirms that the Products were properly handled, stored, installed and maintained and not subject to contamination, abuse, misuse or inappropriate modification. Return of any Products by Buyer must be approved in writing by Omron before shipment. Omron Companies shall not be liable for the suitability or unsuitability or the results from the use of Products in combination with any electrical or electronic components, circuits, system assemblies or any other materials or substances or environments. Any advice, recommendations or information given orally or in writing, are not to be construed as an amendment or addition to the above warranty.

See <http://www.omron.com/global/> or contact your Omron representative for published information.

Limitation on Liability; Etc.

OMRON COMPANIES SHALL NOT BE LIABLE FOR SPECIAL, INDIRECT, INCIDENTAL, OR CONSEQUENTIAL DAMAGES, LOSS OF PROFITS OR PRODUCTION OR COMMERCIAL LOSS IN ANY WAY CONNECTED WITH THE PRODUCTS, WHETHER SUCH CLAIM IS BASED IN CONTRACT, WARRANTY, NEGLIGENCE OR STRICT LIABILITY.

Further, in no event shall liability of Omron Companies exceed the individual price of the Product on which liability is asserted.

Suitability of Use.

Omron Companies shall not be responsible for conformity with any standards, codes or regulations which apply to the combination of the Product in the Buyer's application or use of the Product. At Buyer's request, Omron will provide applicable third party certification documents identifying ratings and limitations of use which apply to the Product. This information by itself is not sufficient for a complete determination of the suitability of the Product in combination with the end product, machine, system, or other application or use. Buyer shall be solely responsible for determining appropriateness of the particular Product with respect to Buyer's application, product or system. Buyer shall take application responsibility in all cases.

NEVER USE THE PRODUCT FOR AN APPLICATION INVOLVING SERIOUS RISK TO LIFE OR PROPERTY OR IN LARGE QUANTITIES WITHOUT ENSURING THAT THE SYSTEM AS A WHOLE HAS BEEN DESIGNED TO ADDRESS THE RISKS, AND THAT THE OMRON PRODUCT(S) IS PROPERLY RATED AND INSTALLED FOR THE INTENDED USE WITHIN THE OVERALL EQUIPMENT OR SYSTEM.

Programmable Products.

Omron Companies shall not be responsible for the user's programming of a programmable Product, or any consequence thereof.

Performance Data.

Data presented in Omron Company websites, catalogs and other materials is provided as a guide for the user in determining suitability and does not constitute a warranty. It may represent the result of Omron's test conditions, and the user must correlate it to actual application requirements. Actual performance is subject to the Omron's Warranty and Limitations of Liability.

Change in Specifications.

Product specifications and accessories may be changed at any time based on improvements and other reasons. It is our practice to change part numbers when published ratings or features are changed, or when significant construction changes are made. However, some specifications of the Product may be changed without any notice. When in doubt, special part numbers may be assigned to fix or establish key specifications for your application. Please consult with your Omron's representative at any time to confirm actual specifications of purchased Product.

Errors and Omissions.

Information presented by Omron Companies has been checked and is believed to be accurate; however, no responsibility is assumed for clerical, typographical or proofreading errors or omissions.

OMRON's Products Support IoT for Control Panels and Production Lines



NX-series Safety Controller
CIP Safety System
Brochure

Cat. No. F104



Safety CPU Unit
NX-SL5 Datasheet

Cat. No. F124



Communication
Control Unit
NX-CSG Datasheet

Cat. No. F125



Automation Software
Sysmac Studio Brochure

Cat. No. P138



Automation Software
Sysmac Studio Ver.1 Datasheet

Note: Do not use this document to operate the Unit.

OMRON Corporation Industrial Automation Company

Kyoto, JAPAN

Contact : www.ia.omron.com

Regional Headquarters

OMRON EUROPE B.V.

Wegalaan 67-69, 2132 JD Hoofddorp
The Netherlands

Tel: (31) 2356-81-300 Fax: (31) 2356-81-388

OMRON ASIA PACIFIC PTE. LTD.

438B Alexandra Road, #08-01/02 Alexandra
Technopark, Singapore 119968

Tel: (65) 6835-3011 Fax: (65) 6835-3011

OMRON ELECTRONICS LLC

2895 Greenspoint Parkway, Suite 200
Hoffman Estates, IL 60169 U.S.A.

Tel: (1) 847-843-7900 Fax: (1) 847-843-7787

OMRON (CHINA) CO., LTD.

Room 2211, Bank of China Tower,
200 Yin Cheng Zhong Road,
PuDong New Area, Shanghai, 200120, China

Tel: (86) 21-6023-0333 Fax: (86) 21-5037-2388

Authorized Distributor:

©OMRON Corporation 2023-2024 All Rights Reserved.
In the interest of product improvement,
specifications are subject to change without notice.

CSM_1_3

Cat. No. F126-E1-03 0324 (0223)